

Line Distribution Amplifier

LD-2 Line Distribution Amplifier

LD-2 is the new professional 2 in 12 out Mono/Stereo Line Distribution Amplifier from CHILTON which replaces the current PLUS 26 Module, and at the same price.

All input and output levels can be adjusted from the front panel pre-sets, with both Visual and Aural monitoring.

Transformer inputs are provided as standard giving complete isolation from (hum loops) from the source equipment.

Input gain and meter reference can be changed to accommodate a wide range of input levels.

Each electronically balanced output can be adjusted, and monitored direct from the XLR connector in balanced mode.

Switching interlock allows for only one pair of Outputs to be monitored the lower number having priority via the SELECT OUTPUTS push-button, in the off position only input levels are monitored. A Red mark clearly indicates the button mode.

All presets are multi-turn therefore adjustment is none critical.

A LINE OUT Jack Socket is provided, this follows the meter selection for Audio monitoring through Headphone or external amplifier.

As with all CHILTON rack units, the Power Supply is a separate unit with adjustments for output voltage (default +/- 15v DC) range of 10-15.5v.

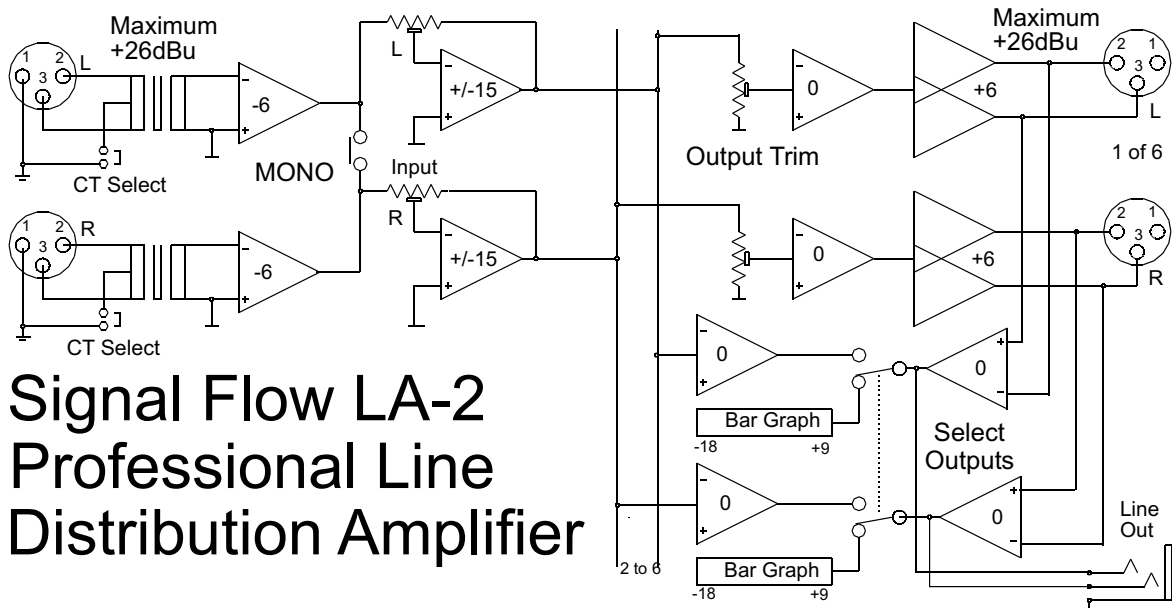
Setting this level to 12v is very useful when the mains falls below 200v AC.

MAIN FEATURES:

- Input transformers as standard
- Outputs/Inputs can be Balanced or Unbalanced
- Precision Metering on all Inputs and Outputs
- Recessed gain adjustments to protect settings
- Short circuit proof outputs
- No change in response at all gain settings
- Operates down to 190v AC

Specification:

Output Performance	20Hz-20kHz @1k ohm
Electronic Balance	+20dBu >0.05%
Input Output	Maximum +26dBu
Frequency Response	+/- 0.1dB 20Hz-20kHz
Crosstalk	>75dB
Square Wave 1kHz	No ringing or overshoot
Noise Unweighted	>95dBu
Z In/Out	10k ohm - 47 ohm
Meter Response	20Hz-20kHz +/- 0.25dB
Line Out @ 0dBm	10Hz-20kHz +/- 0.25dB
Gross Weight Packed	4.5Kg
Size Packed	52x34x11cm
Power Input	115/230V AC 50/60Hz
Fused	250mA a.s. + spare



Signal Flow LA-2 Professional Line Distribution Amplifier

CHILTON-BROADCAST

Platts Eyot, Lower Sunbury Rd.,
Hampton, Middlesex, TW12 2HF. U.K.
Web-Site: www.chilton-broadcast.com

PHONE: UK (0) 20-8-941 5214
FAX: UK (0) 20-8-941 6335
E.MAIL: info@chilton-broadcast.com